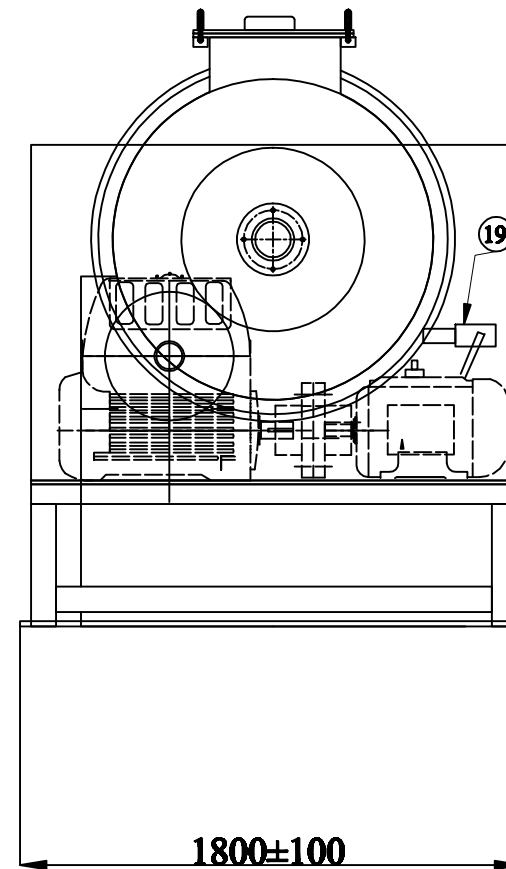
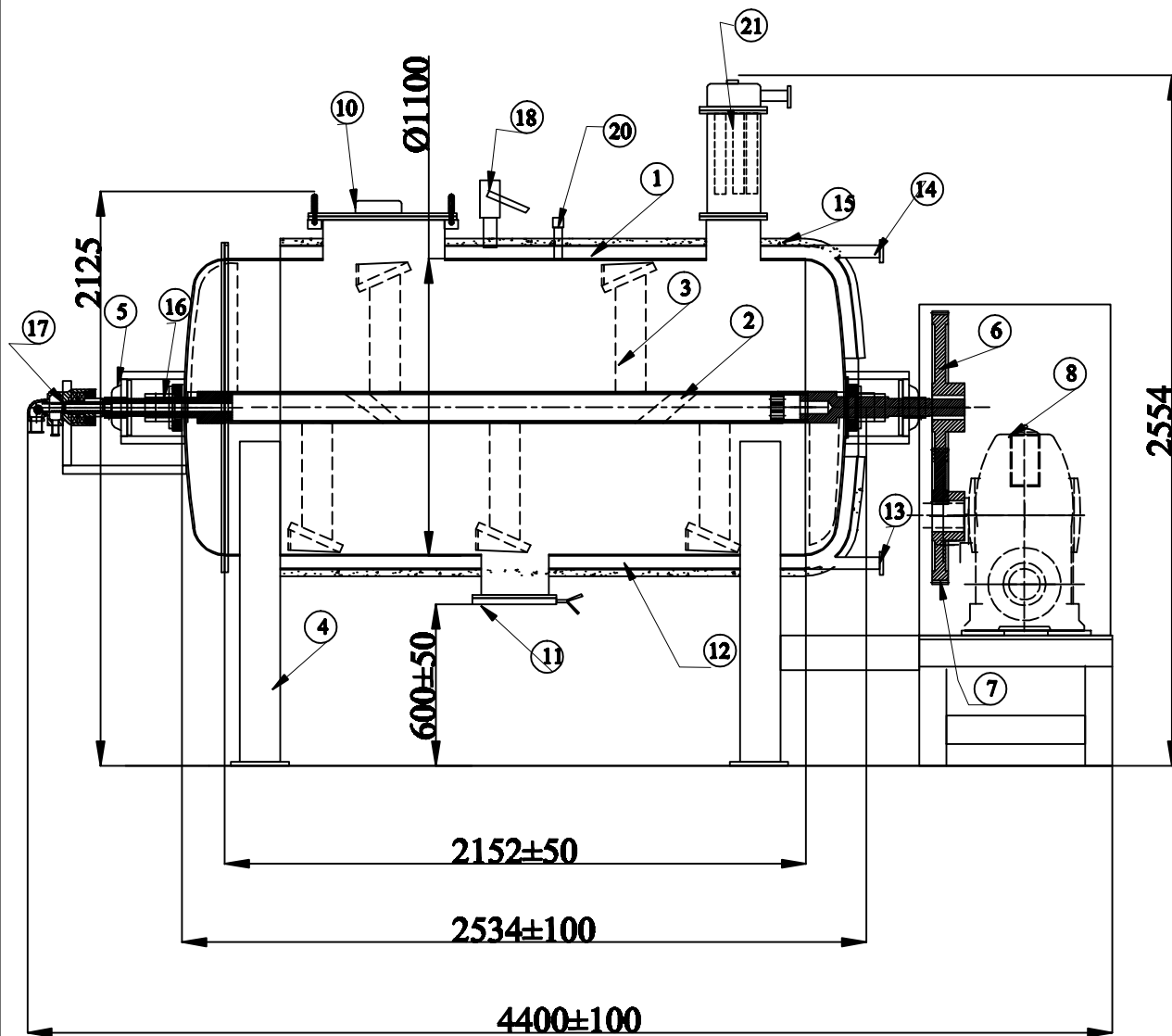


THIS DRAWING AND CONTENTS THERE ON ARE THE PROPERTY OF M/MILLENNIUM INDUSTRIES, HYDERABAD- 500043, ANDRA PRADESH. IT IS TO BE USED ONLY TO THE PURPOSE FOR WHICH IT WAS EXPRESSLY LOANED AND IT IS NOT TO BE COPIED IN ANY MANNER, NOR ANY INFORMATION TAKEN THEREFROM OR PASSED ON TO OTHERS. THIS PRINT IS TO BE RETURNED UPON REQUEST OR



### TECHNICAL SPECIFICATIONS

01	DRYER TOTAL CAPACITY	2000LTS
02	DRYER WORKING CAPACITY	1000to 1100 LTS
03	BLENDER RPM	12-15rpm
04	MOTOR	15 H.P.,Non-FLP, 1440 R
05	GEAR BOX	U10" 70: 1
06	FINISHING INNER	220GRIT (MIRROR)
07	FINISHING OUTER	180GRIT (MATTE)
08	CHARGING SIDE OPEN	Dia 450MM
09	DISCHARGING SIDE OPENING	DIA2200mm
10	DISCHARGING DAMPER MANUAL	10INCH SIZE
11		
12		
13		
14	BLENDER WEIGHT	2900kg
15	OVER ALL DIMENSIONS	5350L x2300B x2850H
16		

### MACHINE PARTS DESCRIPTION

SL NO	PARTS DESCRIPTION	QTY	M.O.C	REMARKS
01	DRYER MAIN BODY-6mm THICKNESS	1	S.S304	
02	DRYER MAIN SHAFT	1	S.S304	
03	BAFFLES-	12	S.S304	
04	STAND	1	M.S	
05	UCF BAERINGS		2SET	STD
06	DRIVE SPUR GEAR	1	M.S	
07	DRIVEN SPUR GEAR	1	M.S	
08	GEAR BOX U10", 70:1	1	STD	
09	MOTOR 15HP Non-FLP, 1440RPM	1	STD	
10	CHARGING END	1	S.S316	
11	DISCHARGING DAMPER	1	S.S316	
12	JACKET BODY	1	SS304	
13	JACKET INLET 40NB	1	SS304	
14	JACKET OULET 40NB	1	S.S304	
15	INSULATION BODY	1	SS304	
16	DRY MECHANICAL SEAL	2	SS304	
17	Rotary seal 1 1/2 inch	1	SS304	
18	AIR VENT -1 INCH BALL VALVE	1	SS304	
19	JACKET DRAIN -1 INCH BALL VALVE	1	SS304	
20	1/2 INCH CUPLING FOR RTD SENSOR	1	SS304	
21	VACCUM BULB ASSBLY	1	SS304	



**MILLENNIUM INDUSTRIES**

AN ISO 9001:2008 CERTIFIED COMPANY

SY NO : 53 ,54, BAHADURAPALLY(V), RR DIST, HYD-43

TITLE:VACCUM PADDLE DRYER-2000L-GMP model

CLIENT: M/s.-	APPD.		DRAW NOT TO SCALE	EQ. MARK
	CHD.			
PO. No.-	DRN.		ALL DIMENSIONS ARE IN MM	SL. No.:
DWG SHEET No.:1 OF 1	DRAWING No.: MPD-2000L-CL-000		REV No.-000	DATE:18-07-2016